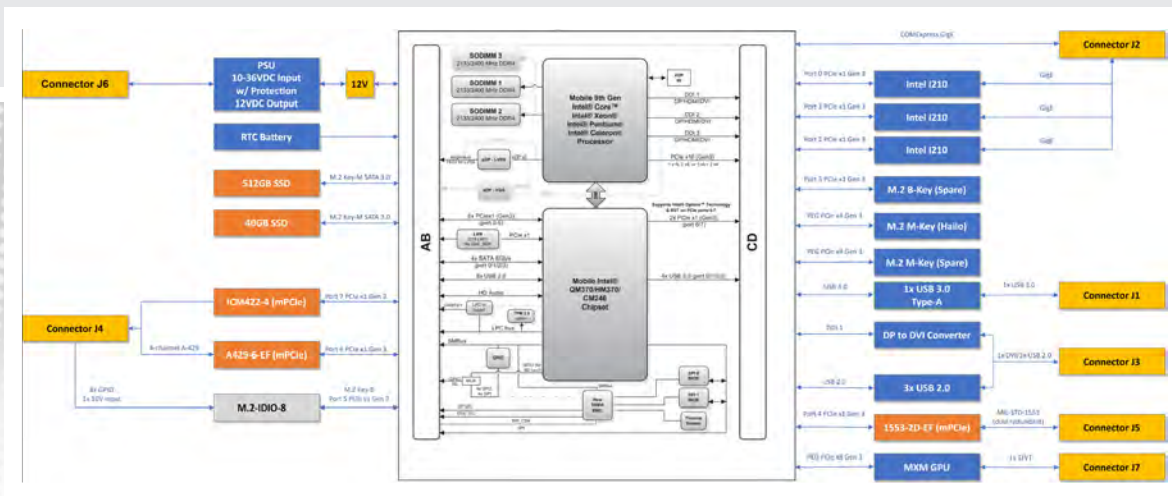


TRAX-30



PRODUCT HIGHLIGHTS

- ⊕ COMe architecture for and a wide range of Intel® options including 11th gen Core i-series and Xeon processors
- ⊕ Highly configurable platform with graphics, AI acceleration, and avionic interface options
- ⊕ MIL-STD-461 / 704 / 1275 power supply with 50ms hold-up and beyond
- ⊕ Various I/O options including, serial, video, USB, ethernet, etc.



FEATURES

OPERATING SYSTEM	Windows, Linux
PROCESSOR	Multiple Intel® processor options including 11th gen Core i-series, and XEON® with up to 8 cores
MEMORY	Up to 64GB DDR4 with ECC option
GRAPHICS	Integrated Intel HD Graphics 630 Support for Direct X12, OpenGL 4.6, Open CL 2.6, Vulkan 1.1.103 Optional: NVIDIA Graphics Cards in MXM/XMC form factor
AI ACCELERATION	Optional: One (1) Hailo-8 M.2 module with 26 TOPs of AI acceleration compute
VIDEO	One (1) DVI-D port; Optional: Up to four (4) additional DVI-D ports when NVIDIA graphics card is installed
STORAGE	Two (2) M.2 SATA 3.0 slots for up to 8TB per SSD
SERIAL	Up to four (4) RS422 isolated ports
USB	One (1) USB 3.0 ports Three (3) USB 2.0 ports
ETHERNET	Four (4) 1GbE ethernet ports
GPIO	Eight (8) GPIO supporting 3.3V and 5V input, and 3.3V output One (1) GPIO supporting 10V input
EXPANSION	Two (2) M.2 M-Key slots One (1) M.2 B-key slot MXM site (if graphics card not populated)
POWER REQUIREMENT	28V power supply (10-36VDC range) with 50ms hold-up, MIL-STD 704E / MIL-STD 1275F with 12VDC output
MECHANICAL	Dimension (H x W x D): 4.5" x 12.8" x 9.3" (including mounts) Weight: <20lbs (payload dependent) Fan-less operation
OPTIONAL AVIONIC INTERFACES	Two (2) dual-redundant MIL-STD-1553 connections on mini-PCIe card Four (4) ARINC-429 Rx connections on mini-PCIe card
SECURITY	Password encrypted BIOS TPM 2.0
CONNECTORS	MIL-SPEC circular connectors
ENVIRONMENTAL	MIL-STD-810 & DO-160 Temperature, altitude, shock & vibe tested MIL-STD-461 EMI/EMC tested MIL-STD 704E & MIL-STD 1275F

ORDERING INFORMATION

Contact us at **855.365.2188** or visit octagon.com/request-quote to begin the ordering process.

